

VITROCERAMIC CONTACT GRILL GVS 335



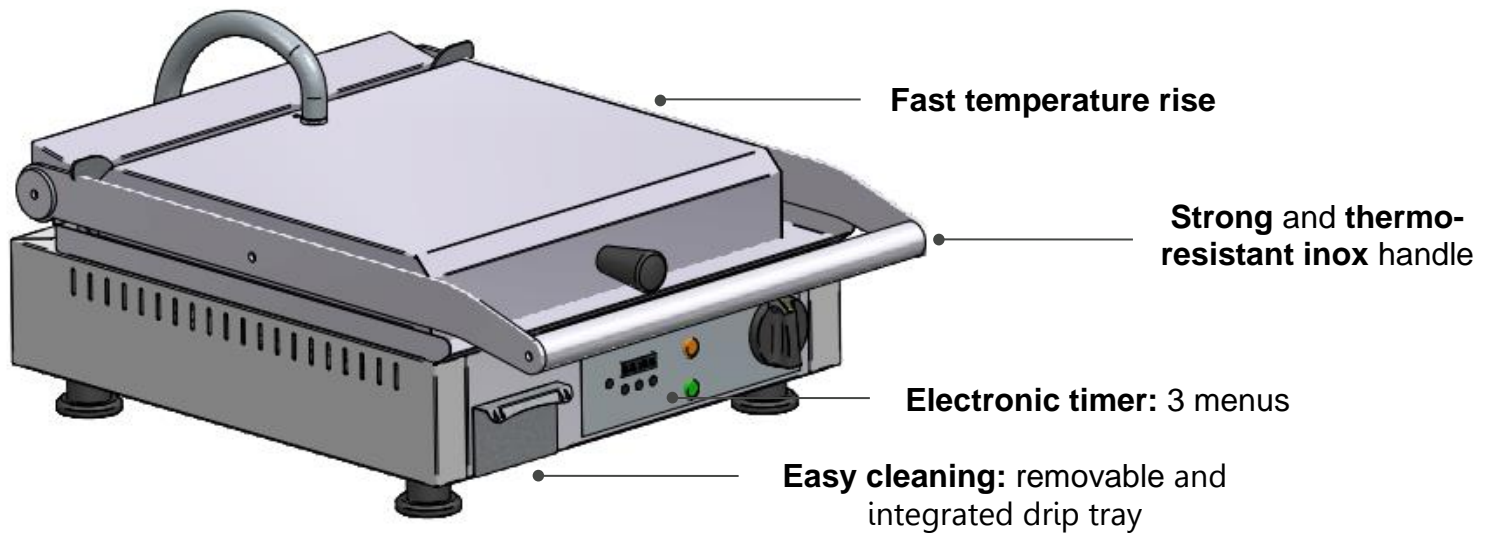
Click here !



MADE IN FRANCE



Vitro-ceramic multi-grill



Technical specifications

Reference	GVS 335
Dimensions	390 x 600 x 260 mm
Cooking surface	335 x 304 mm
Weight	14 Kg
Power	3 KW
Voltage	230 - 240 V

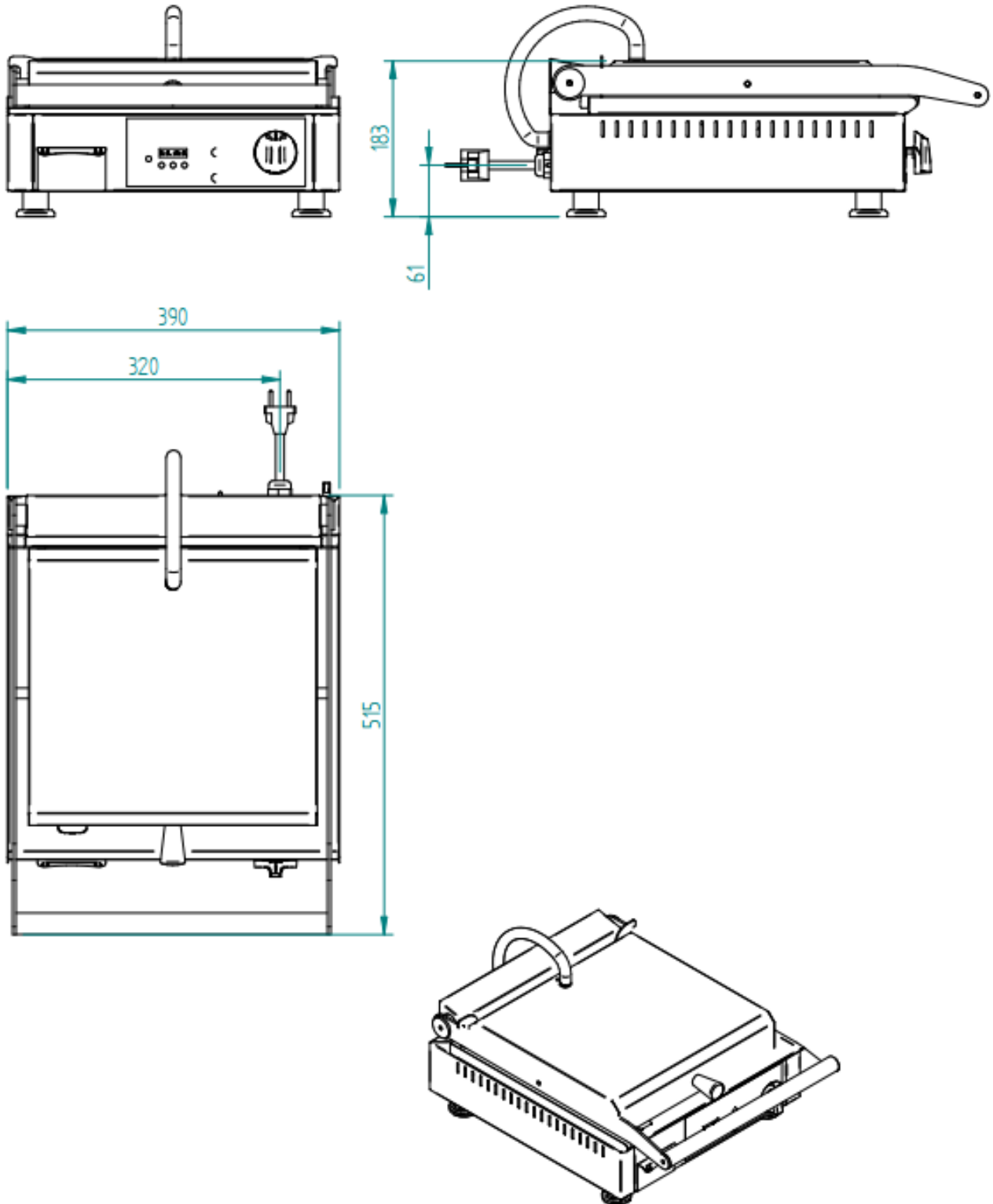


Description

Vitro-ceramic multi-grill for sandwiches, tacos, panini, steaks etc in shopping malls, train stations, airports...

- Fast temperature rise: 240°C in 2 min.
- Panini in 1'50 min. Tacos, Fajita in 30 s.
- Vitro-Ceramic chamber "Turbo Heat": even contact cooking with less power.
- Cooking with no smoke and therefore without any extractor.
- Counter-balanced top plate to ensure an even cooking by adjusting the height of the plate

Available in grooved (R) or flat versions (FT).
Delivered with a spacer.



Roller Grill International

16 rue Saint-Gilles 28800 Bonneval France – Tel. + 33 2 37 44 67 67 – Fax. +33 2 37 96 20 09

Website: www.rollergrill-international.com – **E-mail:** rollergrill@roller-grill.com